

8.545
8.468
8.292
8.281

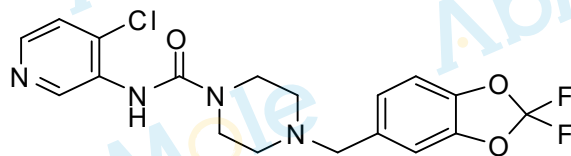
7.551
7.541
7.366
7.348
7.173
7.171
7.157
7.155

3.537
3.475
3.465
3.456
3.317

2.506
2.502
2.498
2.409
2.399
2.390

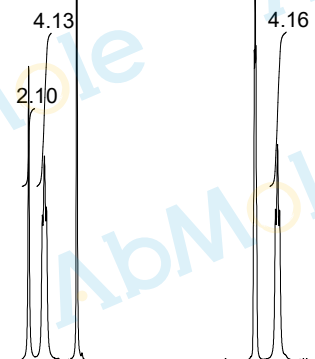
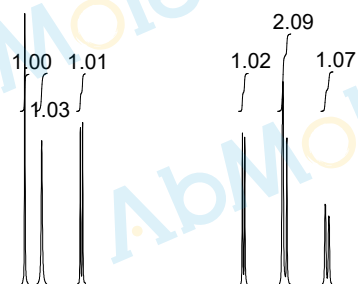
0.000

M8950-JNJ-42165279-01
Chemical Formula: C₁₈H₁₇ClF₂N₄O₃
Molecular Weight: 410.81



CAS: 1346528-50-4

DMSO-d6, 400 MHz



8

6

4

2

0

PPM